

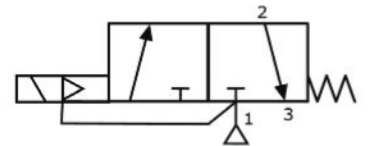
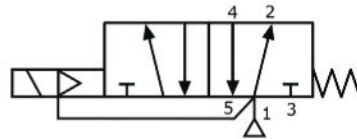
Reflex Solenoid Valve



DESCRIPTION

A solenoid valve designed for direct mounting onto 1/4 turn pneumatically operated valve actuators meeting 'NAMUR' standard fixing dimensions.

- Valve engineered for safe area applications
- Body material available in
 - Aluminium (standard)



FEATURES

- Integrated Exhaust To Spring (ETS) feature in 3/2 position
- 1/4" BSP mains air connection and exhaust ports
- Top face air connection
- Screwdriver override as standard
- Cv = 0.7
- The valve is fitted with a change-over plate that allows the valve to be converted from 3/2 to 5/2 function quickly and easily for spring return and double acting actuators

PRODUCT CODE: R2518P



COIL

S0

VOLTAGE



SEE BELOW
PRODUCT CODE
DETAILS

Any of the below options that are not required enter "0" in relevant box.

Coil

- K** MC30 Plug & Socket
- L** MC30 Plug & Socket with LED

Voltage

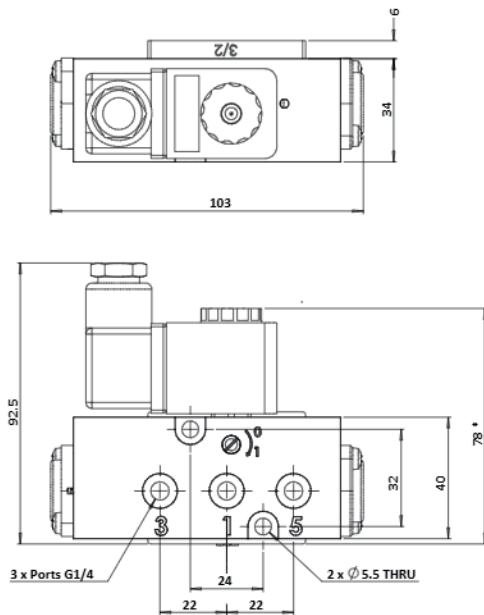
- B** 24v DC
- R** 24v AC (50/60 Hz)
- T** 110v AC (50/60 Hz)
- U** 240v AC (50/60 Hz)

* A comprehensive range of non-standard voltages available on request

EXHAUST TO SPRING

In 3/2 function a proportion of clean air exhausting from the actuator is fed back into the spring chamber.

DIMENSIONS (mm)



* Minimum height with plug connector rotated through 90 degrees.

MATERIAL SPECIFICATIONS

STANDARD

| | |
|-------------------|--|
| Body and End Caps | Black Anodised Aluminium (Dural) |
| Spool | Hard Anodised Aluminium PTFE Impregnated |
| Spacers | Glass Filled Acetal |
| Seals | Nitrile (Alternative Seals Available) |
| Spring | Music Wire |
| Mounting Screws | Stainless Steel |
| Change-over Plate | Nylon 66 30% Glass Filled |
| Gasket | Nitrile |

VALVE SPECIFICATIONS

STANDARD

| | |
|---|-------------|
| Inlet Port Connection Size | 1/4" BSP |
| Exhaust Port Connection Size | 1/4" BSP |
| Working Pressure | 3 to 10 bar |
| Cv Factor | 0.7 |
| Flow Rate (at 6 bar with 1 bar pressure drop) | 675 l/min |
| Maximum Ambient Temperature | +80°C |
| Minimum Working Temperature | -20°C |

COIL DETAILS

| Coil Type | MC30 Plug & Socket |
|-----------------------------|--|
| Area Class | Safe |
| Area Category | N/A |
| Ingress Protection | IP65 |
| Cable Entry | PG.9 |
| Ambient Temperature | -20°C to +80°C |
| Magnetic Wire Class | H |
| Power Consumption (Nominal) | 2.0 Watts (DC) Pull in - 9VA, Holding 5VA (AC) |

Further solenoid options available on request