

E13A-A Series, 1/8", 3/2 Function Solenoid Valve



DESCRIPTION

3/2 direct acting, solenoid valve designed for direct banjo bolt mounting onto 1/4 turn pneumatically operated valve actuators having 1/8" BSP ports

- Hazardous area approved pilot operators
 - ExnA, Ex e mb, Exd & Exia
- Various international approvals
 - ATEX, IECEx, FM/CSA & CCCEX
- Body material available in
 - Aluminium (standard)

Valve Assembly illustrated with a terminal box coil for reference only.

FEATURES

- Convenient single 1/8" BSP Banjo bolt connection
- Interchangeable coils, including various hazardous area options
- 1/4" BSP mains air connection and 1/8" BSP exhaust options
- Pilot exhaust dust caps fitted as standard

PRODUCT CODE: **E13A**

A
OPERATOR

0
COIL

0
DESIGNATOR

SEE BELOW
PRODUCT CODE
DETAILS

Any of the below options that are not required enter "0" in relevant box.

Operator

- X** Spring return, normally closed
- Y** Spring return, normally open

Coil

- A** Exia
- B** Terminal Box
- D** Exd
- H** Plug & Socket Exia
- K** MC30 Plug & Socket
- L** MC30 Plug & Socket with LED
- P** Plug & Socket
- S** Exia Stainless Steel Housing
- Y** ExnA Plug & Socket
- 4** Stainless Steel Housing
- 5** ExnA Stainless Steel Housing
- 8** Ex e mb Stainless Steel Housing

Option 1

- C** Lever manual override
- 0** No option required

Standard Voltage

- B** 24v DC
- H** 24v DC Low Power⁽¹⁾
- R** 24v AC (50/60 Hz)
- T** 110v AC (50/60 Hz)
- U** 240v AC (50/60 Hz)

* A comprehensive range of non-standard voltages available on request

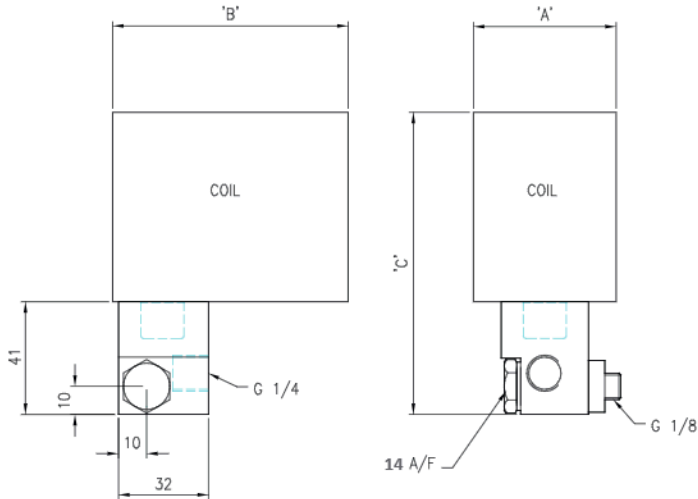
Designator

- A** ATEX / IECEx / CCCEX⁽²⁾
- B** ATEX / IECEx / CCCEX (10mA)⁽²⁾
- F** FM / CSA⁽³⁾
- J** ATEX Ex e mb

Note:

- (1) "H" option not available with Exia solenoids
- (2) IECEx & CCCEX only available with Exia and Ex db solenoids
- (3) FM only available in Exia

DIMENSIONS (mm)



COIL TYPE	A	B	C
Heavy Duty Mazak Plug & Socket	36	77	85
Standard Terminal Box	36	64	93
SS Terminal Box	52	84	110
ExnA SS Terminal Box	52	84	110
Exd SS Terminal Box	52	84	110
Ex e mb Terminal Box	52	84	110
Exia SS Terminal Box	52	84	121
Exia Std. Terminal Box	36	64	104
Exia Plug & Socket	36	90	93

MATERIAL SPECIFICATIONS

STANDARD

Body	Black Anodised Aluminium (Dural)
Banjo bolt	Brass Nickel plated
Seals	Nitrile & Viton

VALVE SPECIFICATIONS

STANDARD

Inlet Port Connection Size	1/4" BSP
Outlet Port Connection Size	1/8" BSP Banjo Bolt
Working Pressure	0 to 10 bar
Cv Factor	0.06 (0.04 Intrinsically Safe Coil)
Flow Rate (at 6 bar with 1 bar pressure drop)	62 l/min 42 l/min (Intrinsically Safe Coil)
Maximum Ambient Temperature	+80°C
Minimum Working Temperature	-20°C

COIL DETAILS

Coil Type	Plug & Socket	Terminal Box	ExnA	Exd	Ex e mb	Exia
Area Class	Safe	Safe	Zone 2	Zone 1 & 2	Zone 1 & 2	Zone 0, 1 & 2
Area Category	N/A	N/A	ExnA II T4 - T6	Exd IIC T3 - T6	Ex e mb IIC T4	Exia IIC T6
Ingress Protection	IP65	IP65	IP65	IP66	IP66	IP65
Cable Entry	PG.9	M20 x 1.5	PG.9	M20 x 1.5	M20 x 1.5	M20 x 1.5
Ambient Temperature	-20°C to +80°C	-20°C to +80°C	-20°C to +80°C	-20°C to +80°C	-20°C to +80°C	-20°C to +80°C
Magnetic Wire Class	H	H	H	H	H	H

Further solenoid options available on request